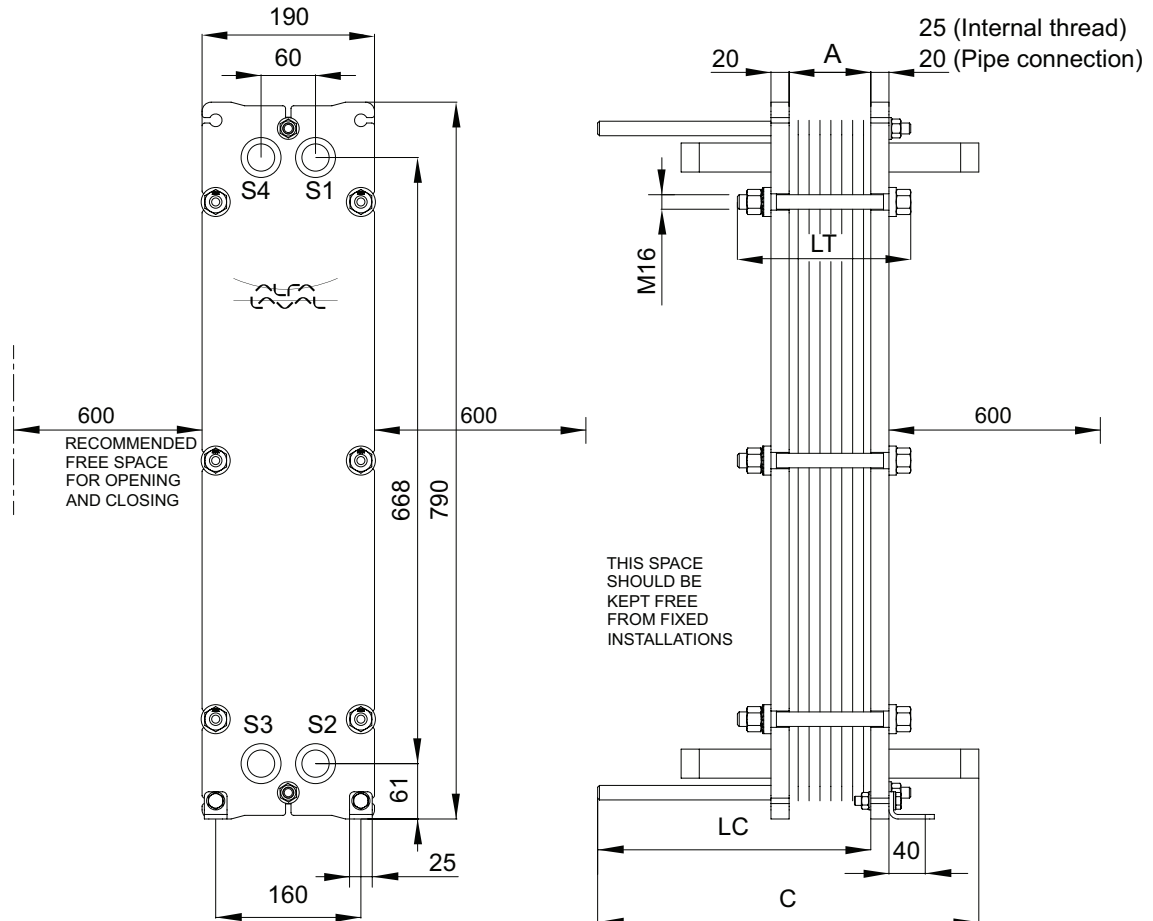




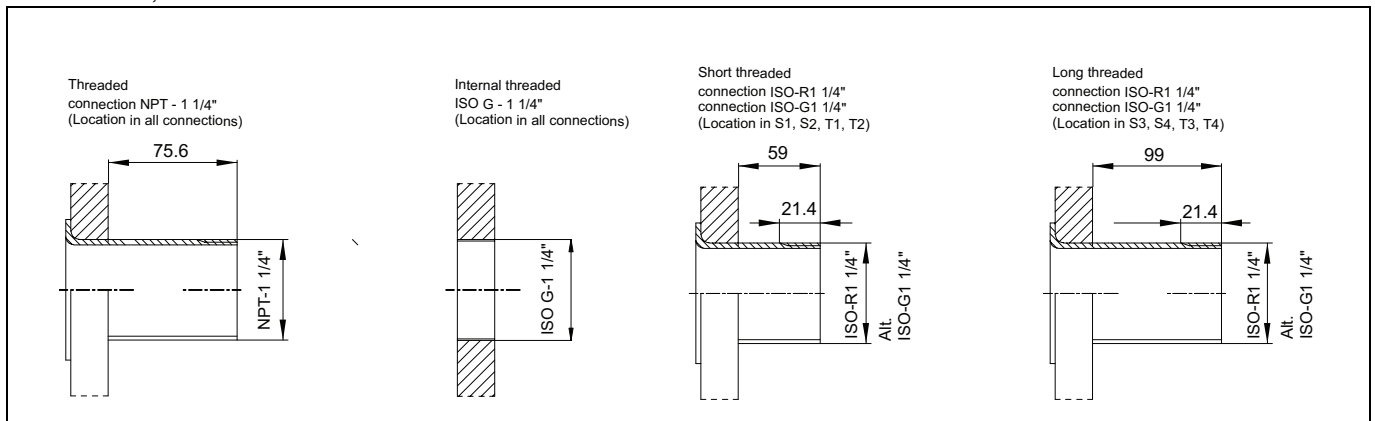
Plate Heat Exchanger type TL3-BFG

pvcALS™



Connection types

1 1/4" - ISO G, ISO R and NPT



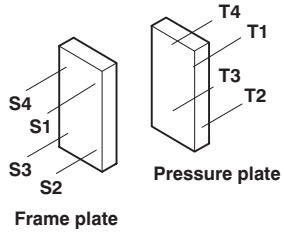
Date	No.	Edition	Dept
0812	32200-1730	1	PC CHE



Plate Heat Exchanger type TL3-BFG

pvcALS™

Connection locations



Location	Media	Conn. Type

Quotation no.		
Order no.		
Item no.		
Calculation no.		
Prepared	Checked	Approved